



-Monosem Pull Type trailed planters	3-6 7-
-Monosem Lift type 3-point planters	10
-Monosem Quad-Max trailed planters	11-15
-Monosem Wing-Max trailed planters	16-17
-Monosem Wing-Max 3-point planters	18
-Monosem Twin-row planters	19-21
-Monosem Vegetable planters	22-28
-Monosem Fertilizer applicators	29-33
-Titanium planters	34
-Carrotech Rippers	35-40
-Carrotech Subsoilers	41

DIRECTIONS FOR USE

By pressing on the link of the description or page number it will take you to the desired page.

When pressing on the top logo of each page you will be redirected to the index.

Drop down boxes will indicate quantity so each quotation will automatically calculate the total.



4-row - Rigid Pull Type Planters

Conventional planter - Includes :

- Frame with Catwalk, steps and torsion bar
- Standard Turbofan with PTO
- Seed and Fertiliser gearbox
- 2 x Wheel units with one contact Drive
- NX-M planter units with one set of seed discs
- 2 x 600L Fertiliser tanks + Fertisystem Augers
- 20" Conventional Fertiliser discs
- Row Markers

76cm

91cm



No-Till & Optional Extras :

- No-Till Coulter & Standard Tine
(in exchange of conventional)
- No-Till Coulter & Double discs
(in exchange of conventional)
- No-Till Coulter & Standard Tine + Double discs
(in exchange of conventional)
- Tungsten Tine (in exchange of standard tine)
- Seed discs per set of 4 (with Agitator)
- Secondary contact drive
- Monoshox kit on NX-M units
- 14.5" Fixed Row cleaners per planter
- Hydraulic Drive on Fan (less PTO)
- MICROSEM for Granular Insecticide
- Sequence Valve for Row Markers
- No Row markers - 4-row (Subtract if not needed)

Hydraulic drive, Seed & Fertiliser monitoring options :

- Dickey John ISOBUS Seed Monitor (no screen)
- For machanical planters
- ISOBUS ready, Hydraulic drives (no screen, harness or ECU)
Includes seed sensors, hydraulic seed and fertiliser drives
- Electromagnetic Row Cut Off (clutches only, no screen, harness or ECU)
ISOBUS Controller or monitor must be quoted by 3rd party
- Dicky John seed sensors only - per planter
- Electrolee Seed Monitor with Digital unit
- Electrolee Seed & Fertiliser Monitor with Digital unit
(For granular fertiliser only)

Liquid Fertiliser & Sprayer options :

- Liquid Fertiliser Option @ 76cm (excludes pump and pipe work) -
- Liquid Fertiliser Option @ 91cm (excludes pump and pipe work)
Includes 1 x 1000L Fertilizer Tank
- Sprayer Kit with 600L tank on drawbar (excludes pump and pipe work)
- Inoculant Downpipe (in exchange of sprayer nozzle supports)

All prices exclude VAT :



8-row - Rigid Pull Type Planters

Conventional planter - Includes :

- Frame with Catwalk, steps and torsion bar
- High Output Turbofan with PTO
- Seed and Fertiliser gearbox
- 4 x Wheel units with two contact Drives
- NX-M planter units with one set of seed discs
- 4 x 600L Fertiliser tanks + Fertisystem Augers
- 20" Conventional Fertiliser discs
- Row Markers

76cm

91cm



No-Till & Optional Extras :

- No-Till Coulter & Standard Tine @76cm - No-Till Coulter & Standard Tine @91cm
(in exchange of conventional)
- No-Till Coulter & Double discs @76cm
- No-Till Coulter & Double discs @91cm
(in exchange of conventional)
- No-Till Coulter & Standard Tine + Double discs @76cm - No-Till Coulter & Standard Tine + Double discs @91cm
(in exchange of conventional)
- Tungsten Tine (in exchange of standard tine)
- Seed discs per set of 8 (with Agitator)
- Monoshox kit on NX-M units
- 14.5" Fixed Row cleaners per planter
- Hydraulic Drive on Fan (less PTO)
- Extra for HD Turbofan Covers
- MICROSEM for Granular Insecticide - Sequence Valve for Row Markers - Side Pull kit for 8row Trailed Planter - No Row markers @ 76cm (Subtract if not needed)
- No Row markers @ 91cm (Subtract if not needed)
- Hydraulic drive, Seed & Fertiliser monitoring options :
- Dickey John ISOBUS Seed Monitor (no screen)
- For machanical planters

- ISOBUS ready, Hydraulic drives (no screen, harness or ECU)

Includes seed sensors, hydraulic seed and fertiliser drives

- Electromagnetic Row Cut Off (clutches only, no screen, harness or ECU)
- ISOBUS Controller or monitor must be quoted by 3rd party
- Dicky John seed sensors only - per planter
- Electolee Seed Monitor with Digital unit
- Electolee Seed & Fertiliser Monitor with Digital unit
- (For granular fertiliser only)

Liquid Fertiliser & Sprayer options :

- Liquid Fertiliser Option @ 76cm (excludes pump and pipe work) - Liquid Fertiliser Option @ 91cm (excludes pump and pipe work)
- Includes 2 x 1000L Fertilizer Tank

- Sprayer Kit with 600L tank on drawbar (excludes pump and pipe work)

- Inoculant Downpipe (in exchange of sprayer nozzle supports)

All prices exclude VAT :



10-row - Rigid Pull Type Planters

Conventional planter - Includes :

- Frame with Catwalk, steps and torsion bar
- Extra High Output Turbofan with PTO
- Seed and Fertiliser gearbox
- 4 x Wheel units with two contact Drives
- NX-M planter units with one set of seed discs
- 5 x 600L Fertiliser tanks + Fertsystem Augers
- 20" Conventional Fertiliser discs
- Row Markers

76cm



No-Till & Optional Extras :

- No-Till Coulter & Standard Tine
(in exchange of conventional)
- No-Till Coulter & Double discs
(in exchange of conventional)
- No-Till Coulter & Standard Tine + Double discs
(in exchange of conventional)
- Tungstan Tine (in exchange of standard tine)
- Seed discs per set of 10 (with Agitator)
- Monoshox kit on NX-M units
- 14.5" Fixed Row cleaners per planter
- Hydraulic Drive on Fan (less PTO)
- MICROSEM for Granular Insecticide
- Sequence Valve for Row Markers
- Side Pull kit for 10row Trailed Planter
- No Row markers - 10-row (Subtract if not needed)

Hydraulic drive, Seed & Fertiliser monitoring options :

- Dickey John ISOBUS Seed Monitor (no screen)

For machanical planters
- ISOBUS ready, Hydraulic drives (no screen, harness or ECU)
Includes seed sensors, hydraulic seed and fertiliser drives
 - Electromagnetic Row Cut Off (clutches only)
ISOBUS Controller or monitor must be quoted by 3rd party
- Dickey John seed sensors only - per planter
- Electrolee Seed Monitor with Digital unit
- Electrolee Seed & Fertiliser Monitor with Digital unit
(For granular fertiliser only)

Liquid Fertiliser & Sprayer options :

- Liquid Fertiliser Option @ 76cm (excludes pump and pipe work)
Includes 2 x 1000L Fertilizer Tank
- Sprayer Kit with 600L tank on drawbar (excludes pump and pipe work)
- Inoculant Downpipe (in exchange of sprayer nozzle supports)

All prices exclude VAT :



2-row Lift Type Planter

Conventional planter - Includes :

- Planter frame with steps
- Standard Turbofan with PTO
- Seed and Fertiliser gearbox
- 2 x Lift wheel units
- NG+4 planter units with one set of seed discs
- 1 x 250L Fertiliser tanks with Fertisystem Augers
- 18" Conventional Fertiliser discs
- No Row Markers



Optional Extras :

- Extra Set of 2 Seed discs with bolt on Agitators
- 2 x Clod Deflectors
- 2 x Fixed Row Cleaners
- Hydraulic Drive on Fan (less PTO)
- MICROSEM system for Granular Insecticide :
- Electrolee Seed Monitor with Digital unit :

All prices exclude VAT :



4-row Lift Type Planter

Conventional planter - Includes :

- Planter frame with steps
- Standard Turbofan with PTO
- Seed and Fertiliser gearbox
- 2 x Lift wheel units
- NG+4 planter units with one set of seed discs
- 2 x 250L Fertiliser tanks with Fertisystem Augers
- 18" Conventional Fertiliser discs
- Row Markers



Optional Extras :

- Extra Set of 4 Seed discs with bolt on Agitators
- 4 x Clod Deflectors
- 4 x Fixed Row Cleaners
- Hydraulic Drive on Fan (less PTO)
- MICROSEM system for Granular Insecticide :
- Electrollee Seed Monitor with Digital unit :
- Electrollee Seed & Fertiliser Monitor with Digital unit :
(For granular fertiliser only)
- No Row markers - 4row (Subtract if not needed)

All prices exclude VAT :



6-row Lift Type Planter

Conventional planter - Includes :

- Planter frame with steps
- High Output Turbofan with PTO
- Seed and Fertiliser gearbox
- 2 x Lift wheel units
- NG+4 planter units with one set of seed discs
- 3 x 350L Fertiliser tanks with Fertisystem Augers
- 18" Conventional Fertiliser discs
- Row Markers

76cm

91cm



Optional Extras :

- Extra Set of 6 Seed discs with bolt on Agitators
- 6 x Clod Deflectors
- 6 x Fixed Row Cleaners
- Hydraulic Drive on Fan (less PTO)
- MICROSEM system for Granular Insecticide :
- Electrolee Seed Monitor with Digital unit :
- Electrolee Seed & Fertiliser Monitor with Digital unit :
(For granular fertiliser only)
- No Row markers - 6row (Subtract if not needed)

All prices exclude VAT :



8-row Lift Type Planter

Conventional planter - Includes :

- Planter frame with steps
- High Output Turbofan with PTO
- Seed and Fertiliser gearbox
- 4 x Lift wheel units
- NG+4 planter units with one set of seed discs
- 4 x 250L Fertiliser tanks with Fertisystem Augers
- 18" Conventional Fertiliser discs
- Row Markers

76cm

91cm



Optional Extras :

- Extra Set of 8 Seed discs with bolt on Agitators
- 8 x Clod Deflectors
- 8 x Fixed Row Cleaners
- Hydraulic Drive on Fan (less PTO)
- MICROSEM system for Granular Insecticide :
- Electrollee Seed Monitor with Digital unit :
- Electrollee Seed & Fertiliser Monitor with Digital unit :
(For granular fertiliser only)
- No Row markers - 8row (Subtract if not needed)

All prices exclude VAT :



Quad-Max 8 row single section

Conventional planter - Includes :

-Planter frame, stands, catwalk, front and side drawbar		
-High output Turbofan with hydraulic drive	76cm	<input type="checkbox"/>
-Planter wheel units with drive wheels		
-Seed & Fertiliser drives		
-8 x NXM units with 1 set of discs and attachments	91cm	<input type="checkbox"/>
-4 x 600L Fertiliser tanks with Fertisystem augers		
-Conventional Fertiliser tools		



No-Till & Optional Extras :

-No-Till Coulter & Standard Tine (in exchange of conventional)	<input type="checkbox"/>
-No-Till Coulter & Double discs (in exchange of conventional)	<input type="checkbox"/>
-No-Till Coulter & Standard Tine + Double discs (in exchange of conventional)	<input type="checkbox"/>
-Tungsten Tine (in exchange of standard tine)	<input type="checkbox"/>
-Seed discs with Agitator (set of 8)	<input type="checkbox"/>
-Monoshox kit on NX-M units	<input type="checkbox"/>
-14.5" Fixed Row cleaners per planter	<input type="checkbox"/>
-MICROSEM for Granular Insecticide	<input type="checkbox"/>
-Extra for HD Turbofan Covers	<input type="checkbox"/>
-2 x Quad-Max Assist Wheels (optional for sandy soil)	<input type="checkbox"/>

Hydraulic drive, Seed & Fertiliser monitoring options :

-Dickey John ISOBUS Seed Monitor (no screen) For machanical planters	<input type="checkbox"/>
-ISOBUS ready, Hydraulic drives (no screen, harness or ECU) Includes seed sensors, hydraulic seed and fertiliser drives	<input type="checkbox"/>
-Electromagnetic Row Cut Off (clutches only, no screen, harness or ECU) ISOBUS Controller or monitor must be quoted by 3rd party	<input type="checkbox"/>
-Dickey John seed sensors only - per planter	<input type="checkbox"/>
-Electrolee Seed Monitor with Digital unit	<input type="checkbox"/>
-Electrolee Seed & Fertiliser Monitor with Digital unit (For granular fertiliser only)	<input type="checkbox"/>

Liquid Fertiliser options :

-Liquid Fertiliser Option @ 76cm (excludes pump and pipe work) -Liquid Fertiliser Option @ 91cm (excludes pump and pipe work)	<input type="checkbox"/>
	<input type="checkbox"/>

Includes 3 x 1000L Fertiliser Tank

All prices exclude VAT :



Quad-Max 10 row single section

Conventional planter - Includes :

- Planter frame, stands, catwalk, front and side drawbar
- Extra High output Turbofan with hydraulic drive
- Planter wheel units with drive wheels
- Seed & Fertiliser drives
- 10 x NXM units with 1 set of discs and attachments
- 5 x 600L Fertiliser tanks with Fertisystem augers
- Conventional Fertiliser tools

76cm

91cm



No-Till & Optional Extras :

- No-Till Coulter & Standard Tine

(in exchange of conventional)

- No-Till Coulter & Double discs

(in exchange of conventional)

- No-Till Coulter & Standard Tine + Double discs

(in exchange of conventional)

- Tungstan Tine (in exchange of standard tine)

- Seed discs with Agitator (set of 10)

- Monoshox kit on NX-M units

- 14.5" Fixed Row cleaners per planter

- MICROSEM for Granular Insecticide

- 2 x Quad-Max Assist Wheels (optional for sandy soil)

Hydraulic drive, Seed & Fertiliser monitoring options :

- Dickey John ISOBUS Seed Monitor (no screen)

For machanical planters

- ISOBUS ready, Hydraulic drives (no screen, harness or ECU)

Includes seed sensors, hydraulic seed and fertiliser drives

- Electromagnetic Row Cut Off (clutches only, no screen, harness or ECU)

ISOBUS Controller or monitor must be quoted by 3rd party

- Dicky John seed sensors only - per planter

- Electrolee Seed Monitor with Digital unit

- Electrolee Seed & Fertiliser Monitor with Digital unit

(For granular fertiliser only)

Liquid Fertiliser options :

- Liquid Fertiliser Option @ 76cm (excludes pump and pipe work) -

- Liquid Fertiliser Option @ 91cm (excludes pump and pipe work)

Includes 3 x 1000L Fertiliser Tank

All prices exclude VAT :



Quad-Max 12 row single section

Conventional planter - Includes :

- Planter frame, stands, catwalk, front and side drawbar
- Extra High output Turbofan with hydraulic drive
- Planter wheel units with drive wheels
- Seed & Fertiliser drives
- 12 x NXM units with 1 set of discs and attachments
- 6 x 600L Fertiliser tanks with Fertisystem augers
- Conventional Fertiliser tools

76cm

91cm



No-Till & Optional Extras :

- No-Till Coulter & Standard Tine

(in exchange of conventional)

- No-Till Coulter & Double discs

(in exchange of conventional)

- No-Till Coulter & Standard Tine + Double discs

(in exchange of conventional)

- Tungstan Tine (in exchange of standard tine)

- Seed discs with Agitator (set of 12)

- Monoshox kit on NX-M units

- 14.5" Fixed Row cleaners per planter

- MICROSEM for Granular Insecticide

- 2 x Quad-Max Assist Wheels (optional for sandy soil)

Hydraulic drive, Seed & Fertiliser monitoring options :

- Dickey John ISOBUS Seed Monitor (no screen)

For mechanical planters

- ISOBUS ready, Hydraulic drives (no screen, harness or ECU)

Includes seed sensors, hydraulic seed and fertiliser drives

- Electromagnetic Row Cut Off (clutches only, no screen, harness or ECU)

ISOBUS Controller or monitor must be quoted by 3rd party

- Dickey John seed sensors only - per planter

- Electrolee Seed Monitor with Digital unit

- Electrolee Seed & Fertiliser Monitor with Digital unit

(For granular fertiliser only)

Liquid Fertiliser options :

- Liquid Fertiliser Option @ 76cm (excludes pump and pipe work) -

- Liquid Fertiliser Option @ 91cm (excludes pump and pipe work)

Includes 3 x 1000L Fertiliser Tank

All prices exclude VAT :



Quad-Max 12 row double section

Conventional planter - Includes :

- Planter frame, stands, catwalk, front and side drawbar
- 2 x High output Turbofan's with hydraulic drives
- Planter wheel units with drive wheels
- Seed & Fertiliser drives
- 12 x NXM units with 1 set of discs and attachments
- 6 x 600L Fertiliser tanks with Fertisystem augers
- Conventional Fertiliser tools

91cm



No-Till & Optional Extras :

- No-Till Coulter & Standerd Tine

(in exchange of conventional)

- No-Till Coulter & Double discs

(in exchange of conventional)

- No-Till Coulter & Standerd Tine + Double discs

(in exchange of conventional)

- Tungstan Tine (in exchange of standard tine)

- Seed discs with Agitator (set of 12)

- Monoshox kit on NX-M units

- 14.5" Fixed Row cleaners per planter

- MICROSEM for Granular Insecticide

- Ekstra for HD Turbofan Covers

- 4 x Quad-Max Assist Wheels (optional for sandy soil)

Hydraulic drive, Seed & Fertiliser monitoring options :

- Dickey John ISOBUS Seed Monitor (no screen)

For machanical planters

- ISOBUS ready, Hydraulic drives (no screen, harness or ECU)

Includes seed sensors, hydraulic seed and fertiliser drives

- Electromagnetic Row Cut Off (clutches only, no screen, harness or ECU)

ISOBUS Controller or monitor must be quoted by 3rd party

- Dicky John seed sensors only - per planter

- Electrolee Seed Monitor with Digital unit

- Electrolee Seed & Fertiliser Monitor with Digital unit

(For granular fertiliser only)

Liquid Fertiliser options :

- Liquid Fertiliser Option @91cm (excludes pump and pipe work)

Includes 3 x 1000L Fertiliser Tank

All prices exclude VAT :



Quad-Max 16 row double section

Conventional planter - Includes :

- | | |
|---|--|
| -Planter frame, stands, catwalk, front and side drawbar | |
| -2 x High output Turbofan's with hydraulic drives | |
| -Planter wheel units with drive wheels | |
| -Seed & Fertiliser drives | |
| -16 x NXM units with 1 set of discs and attachments | |
| -8 x 600L Fertiliser tanks with Fertisystem augers | |
| -Conventional Fertiliser tools | |

76cm

91cm



No-Till & Optional Extras :

- No-Till Coulter & Standard Tine
- (in exchange of conventional)
- No-Till Coulter & Double discs
- (in exchange of conventional)
- No-Till Coulter & Standard Tine + Double discs
- (in exchange of conventional)
- Tungstan Tine (in exchange of standard tine)
- Seed discs with Agitator (set of 16)
- Monoshox kit on NX-M units
- 14.5" Fixed Row cleaners per planter
- MICROSEM for Granular Insecticide
- Ekstra for HD Turbofan Covers
- 4 x Quad-Max Assist Wheels (optional for sandy soil)

Hydraulic drive, Seed & Fertiliser monitoring options :

- Dickey John ISOBUS Seed Monitor (no screen)
- For machanical planters
- ISOBUS ready, Hydraulic drives (no screen, harness or ECU)
- Includes seed sensors, hydraulic seed and fertiliser drives
- Electromagnetic Row Cut Off (clutches only, no screen, harness or ECU)
- ISOBUS Controller or monitor must be quoted by 3rd party
- Dickey John seed sensors only - per planter
- Electrolee Seed Monitor with Digital unit
- Electrolee Seed & Fertiliser Monitor with Digital unit
- (For granular fertiliser only)

Liquid Fertiliser options :

- Liquid Fertiliser Option @ 76cm (excludes pump and pipe work) -Liquid Fertiliser Option @ 91cm (excludes pump and pipe work)
- Includes 4 x 1000L Fertiliser Tank

All prices exclude VAT :



Wing-Max 12 row Vertical Fold

Conventional planter - Includes :

- Planter frame, catwalk, 3 point drawbar CAT 3/4
- 1 x Extra High output Turbofan with hydraulic drive
- Seed and Fertiliser drives
- 2 x 480/80R50 Wheel units with drive wheels
- 12 x NX-M planter units with one set of seed discs
- 5000L Fertiliser tank with Fertisystem Augers
- 20" Conventional Fertiliser discs

76cm

91cm



No-Till & optional extras :

- No-Till Coulter & Standard Tine
(in exchange of conventional)
- No-Till Coulter & Double discs
(in exchange of conventional)
- No-Till Coulter & Standard Tine + Double discs
(in exchange of conventional)
- Tungsten Tine (in exchange of standard tine)
- Seed discs with Agitator (set of 12)
- Monoshox kit on NX-M units
- 14.5" Fixed Row cleaners per planter
- Rubber Pro Wheel Kit per planter

Hydraulic drive, Seed & Fertiliser monitoring options :

- Dickey John ISOBUS Seed Monitor (no screen)
- For machanical planters
- ISOBUS ready, Hydraulic drives (no screen, harness or ECU)
Includes seed sensors, hydraulic seed and fertiliser drives
- Electromagnetic Row Cut Off (clutches only, no screen, harness or ECU)
ISOBUS Controller or monitor must be quoted by 3rd party
- Dickey John seed sensors only - per planter
- Electrolee Seed Monitor with Digital unit
- Electrolee Seed & Fertiliser Monitor with Digital unit
(For granular fertiliser only)
- Visum Fertiliser monitor with Digital unit
(For granular fertiliser only)

Liquid Fertiliser & Sprayer options :

- Liquid Fertiliser Mechanical drive (excludes pump and pipe work)
(For Mechanical planters only)
- Liquid Fertiliser Hydraulic drive (excludes pump and pipe work)
ISOBUS ready (no screen, harness or ECU)
- Sprayer Kit with 1 x 600L tank @76cm only (excludes pump and pipe work)
- Sprayer Kit with 1 x 1000L tank @91cm only (excludes pump and pipe work)
- Sprayer Kit with 2 x 1000L tanks @76/91cm (excludes pump and pipe work)
- Inoculant Downpipe (in exchange of sprayer nozzle supports)

All prices exclude VAT :



Wing-Max 16 row Vertical Fold

Conventional planter - Includes :

- Planter frame, catwalk, 3 point drawbar CAT 3/4
- 1 x Extra High output Turbofan with hydraulic drive
- Seed and Fertiliser drives
- 2 x 480/80R50 Wheel units with drive wheels
- 16 x NX-M planter units with one set of seed discs
- 5000L Fertiliser tank with Fertisystem Augers
- 20" Conventional Fertiliser discs

76cm

91cm



No-Till & optional extras :

- No-Till Coulter & Standard Tine
(in exchange of conventional)
- No-Till Coulter & Double discs
(in exchange of conventional)
- No-Till Coulter & Standard Tine + Double discs
(in exchange of conventional)
- Tungsten Tine (in exchange of standard tine)
- Seed discs with Agitator (set of 12)
- Monoshox kit on NX-M units
- 14.5" Fixed Row cleaners per planter
- Rubber Pro Wheel Kit per planter

Hydraulic drive, Seed & Fertiliser monitoring options :

- Dickey John ISOBUS Seed Monitor (no screen)
- For machanical planters
- ISOBUS ready, Hydraulic drives (no screen, harness or ECU)
Includes seed sensors, hydraulic seed and fertiliser drives
- Electromagnetic Row Cut Off (clutches only, no screen, harness or ECU)
ISOBUS Controller or monitor must be quoted by 3rd party
- Dickey John seed sensors only - per planter
- Electrolee Seed Monitor with Digital unit
- Electrolee Seed & Fertiliser Monitor with Digital unit
(For granular fertiliser only)
- Visum Fertiliser monitor with Digital unit
(For granular fertiliser only)

Liquid Fertiliser & Sprayer options :

- Liquid Fertiliser Mechanical drive (excludes pump and pipe work)
(For Mechanical planters only)
- Liquid Fertiliser Hydraulic drive (excludes pump and pipe work)
ISOBUS ready (no screen, harness or ECU)
- Sprayer Kit with 1 x 600L tank @76cm only (excludes pump and pipe work)
- Sprayer Kit with 1 x 1000L tank @91cm only (excludes pump and pipe work)
- Sprayer Kit with 2 x 1000L tanks @76/91cm (excludes pump and pipe work)
- Inoculant Downpipe (in exchange of sprayer nozzle supports)

All prices exclude VAT :

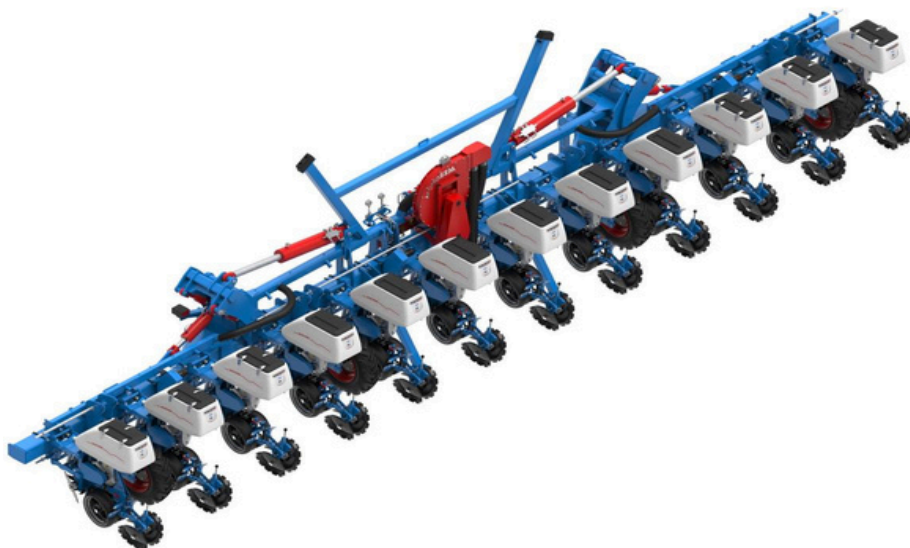


Wing-Max 12 row 3-point Lift (No Fertiliser)

Conventional planter - Includes :

- | |
|--|
| <ul style="list-style-type: none"> -Planter frame, 3 point hitch CAT 3/4 -1 x Extra High output Turbofan with hydraulic drive -Seed drives -4 x Lift wheel units for mechanical drive -12 x NX-M planter units with one set of seed discs -No Fertiliser |
|--|

76cm	<input type="checkbox"/>
91cm	<input type="checkbox"/>



Optional Extras :

- | | |
|---|--------------------------|
| -Seed discs with Agitator (set of 12) | <input type="checkbox"/> |
| -Monoshox kit on NX-M units | <input type="checkbox"/> |
| -14.5" Fixed Row cleaners per planter | <input type="checkbox"/> |
| -Cutting Coulter for NX-M per planter | <input type="checkbox"/> |
| -Rubber Pro Wheel Kit per planter | <input type="checkbox"/> |

Hydraulic drive & Seed monitoring options :

- | | |
|--|--------------------------|
| -Dickey John ISOBUS Seed Monitor (no screen) | <input type="checkbox"/> |
| For mechanical planters | |
| -Electromagnetic Row Cut Off (clutches only, no screen, harness or ECU)
Includes seed sensors and hydraulic seed drives | <input type="checkbox"/> |
| -Electromagnetic Row Cut Off (clutches only)
ISOBUS Controller or monitor must be quoted by 3rd party | <input type="checkbox"/> |
| -Dickey John seed sensors only - per planter | <input type="checkbox"/> |
| -Electrolee Seed Monitor with Digital unit | <input type="checkbox"/> |

All prices exclude VAT :



4-row - Rigid Twin Row Planters

Conventional planter - Includes :

- Frame with Catwalk, steps and torsion bar
- High Output Turbofan with PTO
- Seed and Fertiliser gearbox
- 2 x Wheel units with one contact Drive
- NG+Twin planter units with one set of seed discs
- 2 x 600L Fertiliser tanks + Fertisystem Augers
- 20" Conventional Fertiliser discs
- Row Markers

76cm

91cm



Optional Extras :

- Seed discs per set of 8 (with Agitator)
- 13" Single Fixed Row cleaners per planter
- Hydraulic Drive on Fan (less PTO)
- MICROSEM for Granular Insecticide
- Electrolee Seed Monitor with Digital unit
- Electrolee Seed & Fertiliser Monitor with Digital unit
(For granular fertiliser only)
- No Row markers - 4-row (Subtract if not needed)

All prices exclude VAT :



6-row - Rigid Twin Row Planters

Conventional planter - Includes :

- Frame with Catwalk, steps and torsion bar
- Extra High Output Turbofan with PTO
- Seed and Fertiliser gearbox
- 4 x Wheel units with two contact Drives
- NG+Twin planter units with one set of seed discs
- 3 x 600L Fertiliser tanks + Fertisystem Augers
- 20" Conventional Fertiliser discs
- Row Markers

76cm

91cm



Optional Extras :

- Seed discs per set of 12 (with Agitator)
- 13" Single Fixed Row cleaners per planter
- Hydraulic Drive on Fan (less PTO)
- MICROSEM for Granular Insecticide
- Electrolee Seed Monitor with Digital unit
- Electrolee Seed & Fertiliser Monitor with Digital unit
(For granular fertiliser only)
- No Row markers - 6x76cm (Subtract if not needed)
- No Row markers - 6x91cm (Subtract if not needed)

All prices exclude VAT :



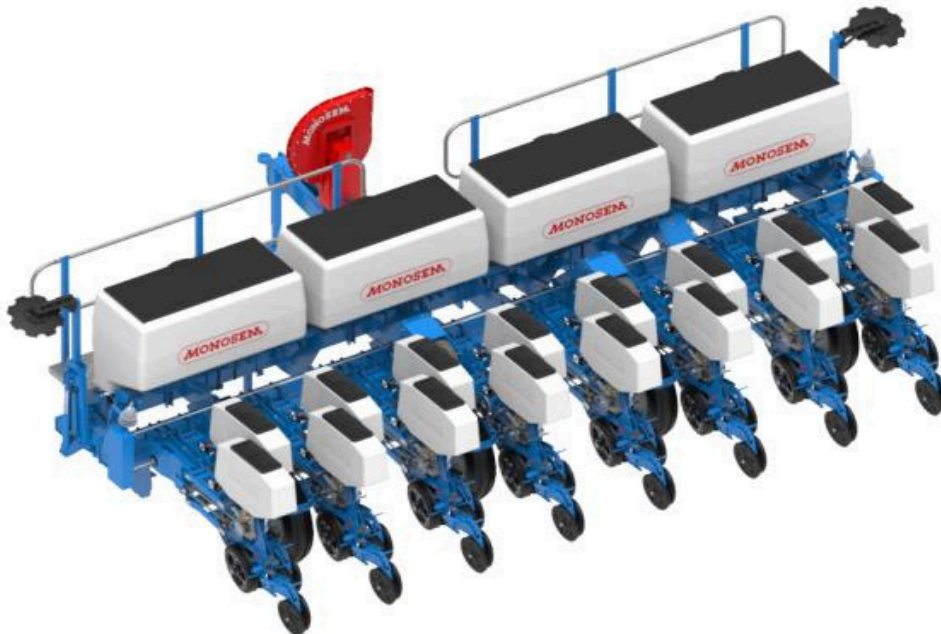
8-row - Rigid Twin Row Planters

Conventional planter - Includes :

- Frame with Catwalk, steps and torsion bar
- High Output Turbofan with PTO
- Seed and Fertiliser gearbox
- 4 x Wheel units with two contact Drives
- NG+Twin planter units with one set of seed discs
- 4 x 600L Fertiliser tanks + Fertisystem Augers
- 20" Conventional Fertiliser discs
- Row Markers

76cm

91cm



Optional Extras :

- Seed discs per set of 16 (with Agitator)
- 13" Single Fixed Row cleaners per planter
- Hydraulic Drive on Fan (less PTO)
- MICROSEM for Granular Insecticide
- Electrolee Seed Monitor with Digital unit
- Electrolee Seed & Fertiliser Monitor with Digital unit
(For granular fertiliser only)
- No Row markers - 8x76cm (Subtract if not needed)
- No Row markers - 8x91cm (Subtract if not needed)

All prices exclude VAT :



MS 3 row planter for carrots

Includes :

- Planter frame with stands
- Standard Turbofan with PTO
- Seed gearbox for MS
- Lift wheel units with wheels
- MS double row units with steel or rubber wheels
- MS vacuum cleaner with pressure tubes
- Seed disc for carrots 3 rows (A2M12008) + Agitators

3 row

Steel

or

Rubber



Optional Extras :

- Additional seed disc for beetroot 3 rows (A2M3622)
- Additional seed disc for onions 3 rows (A2M7212)
- Extra agitator with bolts for 3 rows
- **Remove seed discs for carrots 3 rows (A2M12008)**
- MICROSEM system for Granular Insecticide - 3-rows

All prices exclude VAT :



MS 4 row planter for carrots

Includes :

- Planter frame with stands
- Standard Turbofan with PTO
- Seed gearbox for MS
- Lift wheel units with wheels
- MS double row units with steel or rubber wheels
- MS vacuum cleaner with pressure tubes
- Seed disc for carrots 4 rows (A2M12008) + Agitators

4 row

Steel

or

Rubber



Optional Extras :

-Additional seed disc for beetroot 4 rows (A2M3622)

-Additional seed disc for onions 4 rows (A2M7212)

-Extra agitator with bolts for 4 rows

-Remove seed discs for carrots 4 rows (A2M12008)

-MICROSEM system for Granular Insecticide - 4-rows

All prices exclude VAT :



MS 5 row planter for onions

Includes :

- Planter frame with stands
- Standard Turbopan with PTO
- Seed gearbox for MS
- Lift wheel units with wheels
- MS double row units with steel or rubber wheels
- MS vacuum cleaner with pressure tubes
- Seed discs for onions 5 rows (A2M7212) + Agitators

5 row

Steel

or

Rubber



Optional Extras :

-Additional seed disc for beetroot 5 rows (A2M3622) -

Additional seed disc for carrots 5 rows (A2M12008) -Extra

agitator with bolts for 5 rows -Remove seed disc for onions

5 rows (A2M7212)

-MICROSEM system for Granular Insecticide - 5-rows

All prices exclude VAT :



MS 6 row planter for onions

Includes :

- Planter frame with stands
- Standard Turbofan with PTO
- Seed gearbox for MS
- Lift wheel units with wheels
- MS double row units with steel or rubber wheels
- MS vacuum cleaner with pressure tubes
- Seed disc for onions 6 rows (A2M7212) + Agitators

6 row

Steel

or

Rubber



Optional Extras :

-Additional seed disc for beetroot 6 rows (A2M3622) -

Additional seed disc for carrots 6 rows (A2M12008) -Extra

agitator with bolts for 6 rows -Remove seed disc for onions

6 rows (A2M7212)

-MICROSEM system for Granular Insecticide - 6-rows

All prices exclude VAT :



MS 12 row planter for carrots

Includes :

- Planter frame with stands
- High Output Turbofan with PTO
- Central Seed gearbox
- Lift wheel units with wheels
- MS double row units with steel or rubber wheels
- MS vacuum cleaner with pressure tubes
- Seed disc for carrots 12 rows (A2M12008) + Agitators

12 row

Steel

or

Rubber



Optional Extras :

- Additional seed disc for beetroot 12 rows (A2M3622)
- Additional seed disc for onions 12 rows (A2M7212)
- Extra agitator with bolts for 12 rows
- Remove seed disc for carrots 12 rows (A2M12008)
- MICROSEM system for Granular Insecticide - 12-rows

All prices exclude VAT :



MS 15 row planter for onions

Includes :

- Planter frame with stands
- High Output Turbofan with PTO
- Central Seed gearbox
- Lift wheel units with wheels
- MS double row units with steel or rubber wheels
- MS vacuum cleaner with pressure tubes
- Seed disc for onions 15 rows (A2M7212) + Agitators

15 row

Steel

or

Rubber



Optional Extras :

- Additional seed disc for beetroot 15 rows (A2M3622) -

Additional seed disc for carrots 15 rows (A2M12008) - Extra

agitator with bolts for 15 rows - **Remove seed disc for onions**

15 rows (A2M7212)

- MICROSEM system for Granular Insecticide - 15-rows

All prices exclude VAT :



MS 18 row planter for onions

Prices Valid till 31 July 2024 (Dependent on stock availability)

Includes :

- Planter frame with stands
- High Output Turbofan with PTO
- 2 x Side Seed gearbox's
- Higher wheel units with top shaft
- MS double row units with steel or rubber wheels
- MS vacuum cleaner with pressure tubes
- Seed disc for onions 18 rows (A2M7212) + Agitators

18 row

Steel

or

Rubber



Optional Extras :

- Additional seed disc for beetroot 18 rows (A2M3622) -
- Additional seed disc for carrots 18 rows (A2M12008) - Extra
- agitator with bolts for 18 rows - **Remove seed disc for onions**
- 18 rows (A2M7212)**
- MICROSEM system for Granular Insecticide - 18-rows

All prices exclude VAT :

Sugar Cane Fertiliser Applicator

Basic Machine :

- 3pt Fertiliser Applicator Frame with CAT 2
- 600 Litre Fertiliser Bins x 2
- Fertisytem Augers x 6
- Adjustable Outlets for Above Ground Application x 6
- Fixed Mechanical Drive Wheel Units x 2
- Transport stands x 2



Optional Extras :

- Price per Single Auger/ Outlet Above ground
Add / remove as required

- Price Increase for Hydraulic Variable Rate
Wheel units removed
Fert gearbox removed
2 x Extra stands added
Price Excludes Tractor Harness/ Screen

Transport not included - EX Cape Town

Single Bin Fertiliser Applicator

Basic Machine :

- 3pt Fertiliser Applicator Frame with CAT 2
- 350 Litre Fertiliser Bins x 1
- Fertisystem Augers x 4
- Adjustable Outlets for Above Ground Application x 4
- Adjustable Mechanical Drive Wheel Units x 2
- Transport stands x 2



Optional Extras :

- Price per Single Auger/ Outlet Above ground
Add / remove as required

- Price Increase for Single Fertiliser Discs per Row
If adding more than 4 rows also add extra Auger/ Outlets

- Price Increase for Hydraulic Variable Rate
Wheel units removed
Fert gearbox removed
2 x Extra stands added
Price Excludes Tractor Harness/ Screen

Transport not included - EX Cape Town

2-bin Fertiliser Applicator

Basic Machine :

- 3pt Fertiliser Applicator Frame with CAT 2
- 350 Litre Fertiliser Bins x 2
- Fertisytem Augers x 4
- Adjustable Outlets for Above Ground Application x 4
- Adjustable Mechanical Drive Wheel Units x 2
- Transport stands x 2
- Rear Platform x 1



Optional Extras :

-Price per Single Auger/ Outlet Above ground
Add / remove as required

-Price for set of cultivating tines
8 x S-tines

-Price Increase for Single Fertiliser Discs per Row
If adding more than 6 rows also add extra Auger/ Outlets

-Price Increase for Hydraulic Variable Rate
Wheel units removed
Fert gearbox removed
2 x Extra stands added
Price Excludes Tractor Harness/ Screen

Transport not included - EX Cape Town

3-bin Fertiliser Applicator

Basic Machine :

- 3pt Fertiliser Applicator Frame with CAT 2
- 350 Litre Fertiliser Bins x 3
- Fertisytem Augers x 6
- Adjustable Outlets for Above Ground Application x 6
- Fixed Mechanical Drive Wheel Units x 2
- Transport stands x 2
- Rear Platforms x3
- Set of Tines for cultivating between rows



Optional Extras :

- Price per Single Auger/ Outlet Above ground
Add / remove as required

- Price Increase for Single Fertiliser Discs per Row
If adding more than 6 rows also add extra Auger/ Outlets

- Price Decrease for set of cultivating tines
S-tines + Vibroflex tines

- Price Increase for Hydraulic Variable Rate
Wheel units removed
Fert gearbox removed
2 x Extra stands added
Price Excludes Tractor Harness/ Screen

Transport not included - EX Cape Town

4-bin Fertiliser Applicator

Basic Machine :

- 3pt Fertiliser Applicator Frame with CAT 2
- 600 Litre Fertiliser Bins x 4
- Fertisytem Augers x 8
- Adjustable Outlets for Above Ground Application x 8
- Fixed Mechanical Drive Wheel Units x 2
- Transport stands x 2
- Rear Platforms x 4
- Single Fertiliser discs for higher frame x 8



Optional Extras :

- Price per Single Auger/ Outlet Above ground
Add / remove as required

- Price Decrease for 8 x Single Fertiliser Discs
Top dress outlets added

- Price Increase for Hydraulic Variable Rate
Wheel units removed
Fert gearbox removed
2 x Extra stands added
Price Excludes Tractor Harness/ Screen

Transport not included - EX Cape Town

TITANIUM

Lift Type Mechanical Planter

Basic Lift planters :

- Planter frame
- Seed and Fertiliser gearbox
- Drive wheel units
- No Till Planter units
- Fertiliser tanks with Fertisystem Augers
- 18" Cutting coulters with No Till Tine
- Row Markers on 4row
- Set of 8 x 28hole Maize seed discs + runners

2row - No Till

4row - No Till



Optional Extras (per row) :

- Extra price for closing discs (in exchange of closing paddles)
- Notched Steel Press wheels (in exchange of conventional wheels)
- Row markers - 4row (Subtract if not needed)

Extra Set of Seed discs :

- Soya (3 x 90 hole seed discs + runners)
- Soya (3 x 135 hole seed discs + runners)
- Sorghum (3 x 45 hole discs + runners)
- Sorghum (3 x 90 hole discs + runners)
- Green Beans (3 x 56 hole discs + runners)
- Green Beans (3 x 56 hole discs use Maize runners)
- Peanuts (2 x 56 & 2 x 60 hole discs + runners)
- Cotton (2 x 108 hole discs + runners)
- Canola (1 x 128 hole discs + runners)
- Remove Maize discs

Transport not included - EX Cape Town

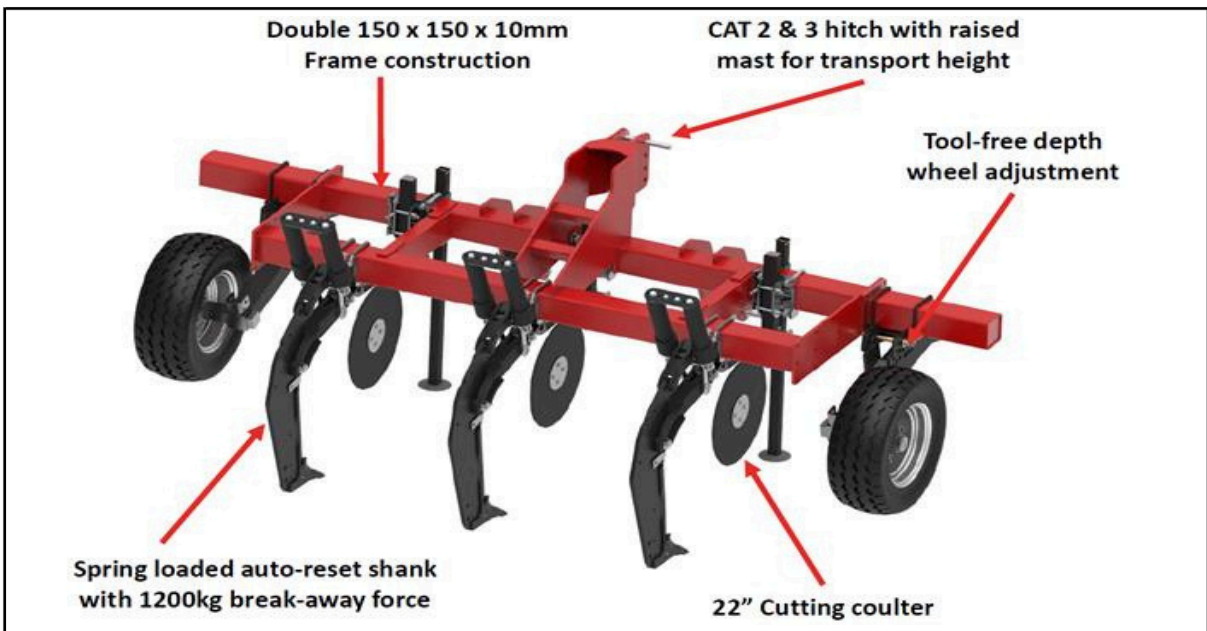
3-row Ripper prices

Prices Valid till 31 July 2024 (Dependent on stock availability)

Basic Machine :

- Frame with CAT 2 / 3 Hitch pins
- Rear Facing Depth Wheels on Stubs
- Heavy Duty 20" cutting Coulters
- Auto Reset Tine with Straight Shank (500mm deep)

60cm	<input type="checkbox"/>
76cm	<input type="checkbox"/>
91cm	<input type="checkbox"/>



Optional Extras :

- Price deduction for C-section shanks (400mm deep)
- Price for Cast Shatter wing kits
- Price increase for Rear Re-bar Roller
- replaces depth wheels

	<input type="checkbox"/>
	<input type="checkbox"/>
60cm	<input type="checkbox"/>
76cm	<input type="checkbox"/>
91cm	<input type="checkbox"/>

Attachments for Strip Till :

- Berming Arms, Cage roller and Floating Row Cleaners
- Price increase for Paddle roller in place of Cage roller

<input type="checkbox"/>
<input type="checkbox"/>

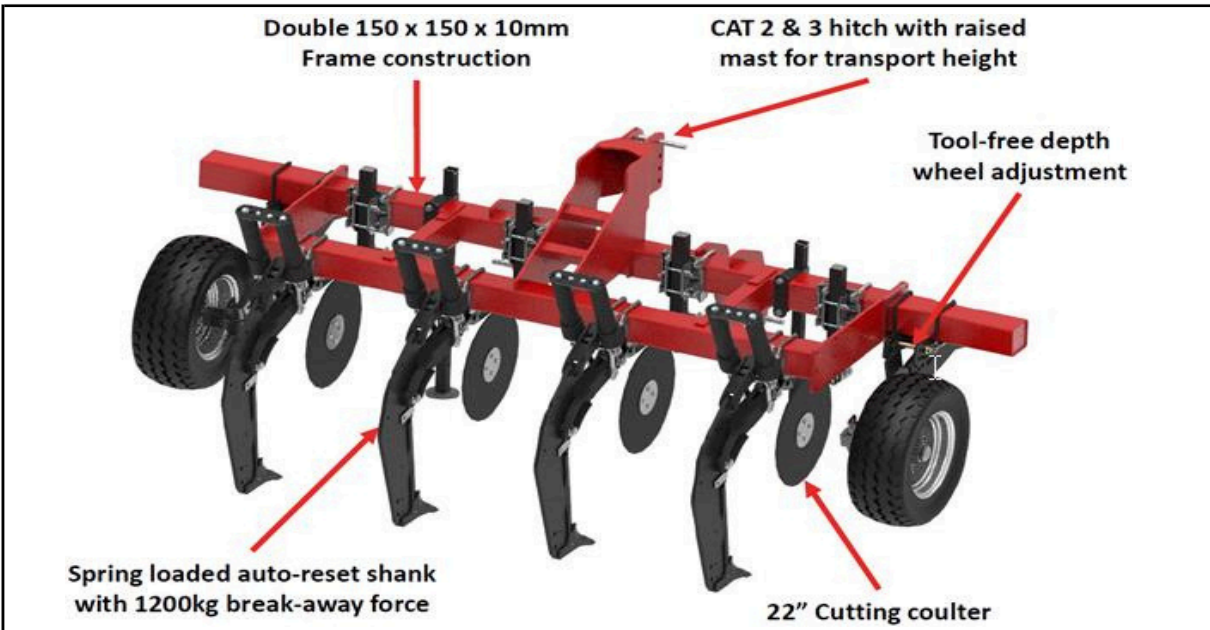
Transport not included - EX Cape Town

4-row Ripper prices

Prices Valid till 31 July 2024 (Dependent on stock availability)

Basic Machine :

-Frame with CAT 2 / 3 Hitch pins	60cm	<input type="checkbox"/>
-Forward Facing Depth Wheels	76cm	<input type="checkbox"/>
-Heavy Duty 20" cutting Coulters	91cm	<input type="checkbox"/>
-Auto Reset Tine with Straight Shank (500mm deep)		



Optional Extras :

-Price deduction for C-section shanks (400mm deep)		<input type="checkbox"/>
-Price for Cast Shatter wing kits		<input type="checkbox"/>
-Price increase for Rear Re-bar Roller	60cm	<input type="checkbox"/>
-replaces depth wheels	76cm	<input type="checkbox"/>
	91cm	<input type="checkbox"/>

Attachments for Strip Till :

-Berthing Arms, Cage roller and Floating Row Cleaners	<input type="checkbox"/>
-Price increase for Paddle roller in place of Cage roller	<input type="checkbox"/>

Transport not included - EX Cape Town

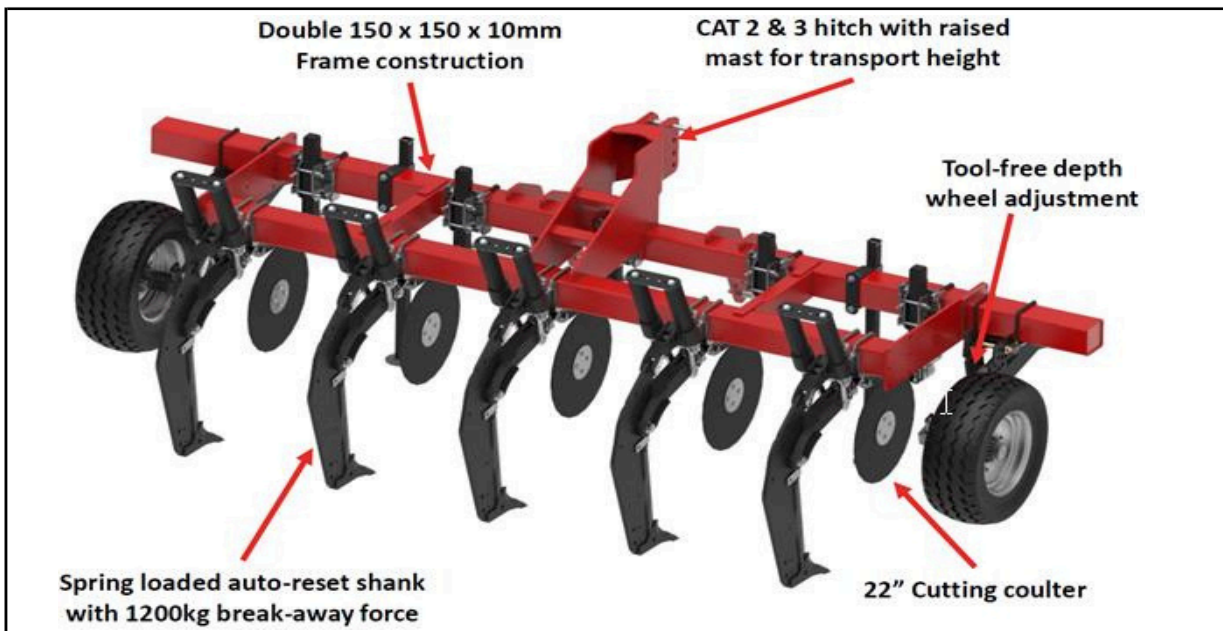


5-row Ripper prices

Prices Valid till 31 July 2024 (Dependent on stock availability)

Basic Machine :

-Frame with CAT 2 / 3 Hitch pins	60cm	<input type="checkbox"/>
-Forward Facing Depth Wheels	76cm	<input type="checkbox"/>
-Heavy Duty 20" cutting Coulters	91cm	<input type="checkbox"/>
-Auto Reset Tine with Straight Shank (500mm deep)		



Optional Extras :

-Price deduction for C-section shanks (400mm deep)		<input type="checkbox"/>
-Price for Cast Shatter wing kits		<input type="checkbox"/>
-Price increase for Rear Re-bar Roller	60cm	<input type="checkbox"/>
-replaces depth wheels	76cm	<input type="checkbox"/>
	91cm	<input type="checkbox"/>

Attachments for Strip Till :

-Bermeing Arms, Cage roller and Floating Row Cleaners	<input type="checkbox"/>
-Price increase for Paddle roller in place of Cage roller	<input type="checkbox"/>

Transport not included - EX Cape Town

TOTAL (excl VAT) :

6-row Ripper prices

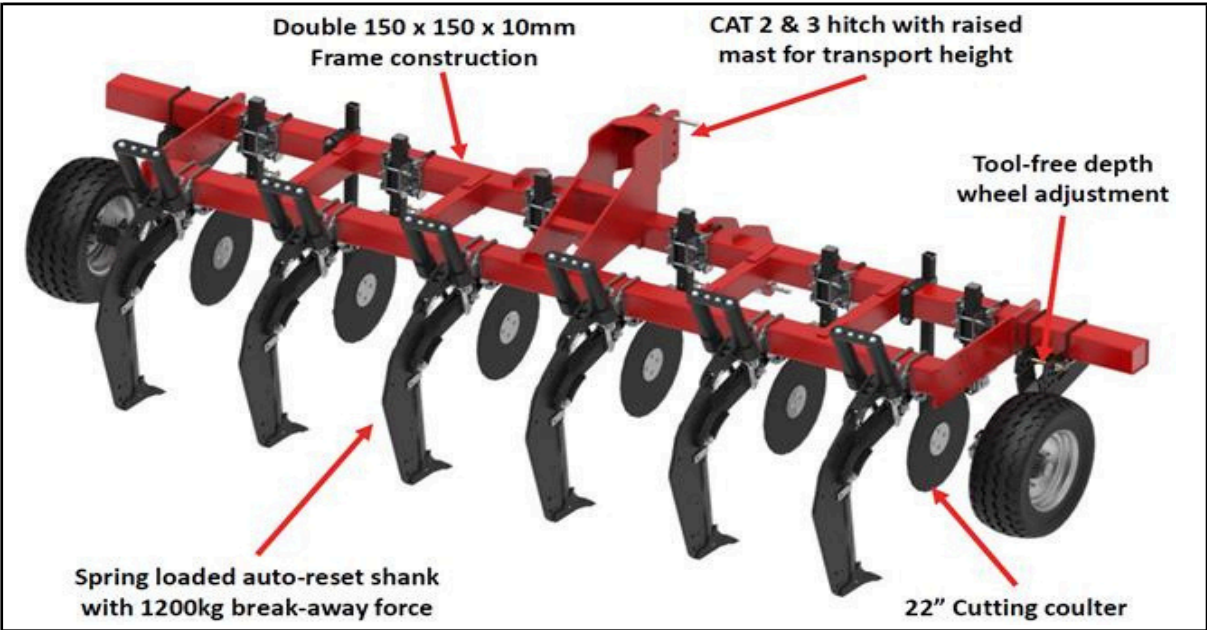
Basic Machine :

- Frame with CAT 2 / 3 Hitch pins
- Forward Facing Depth Wheels
- Heavy Duty 20" cutting Coulters
- Auto Reset Tine with Straight Shank (500mm deep)

60cm

76cm

91cm



Optional Extras :

- Price deduction for C-section shanks (400mm deep)

- Price for Cast Shatter wing kits

- Price increase for Rear Re-bar Roller 60cm

- replaces depth wheels

76cm

91cm

Attachments for Strip Till :

- Berming Arms, Cage roller and Floating Row Cleaners

- Price increase for Paddle roller in place of Cage roller

Transport not included - EX Cape Town

7-row Ripper prices

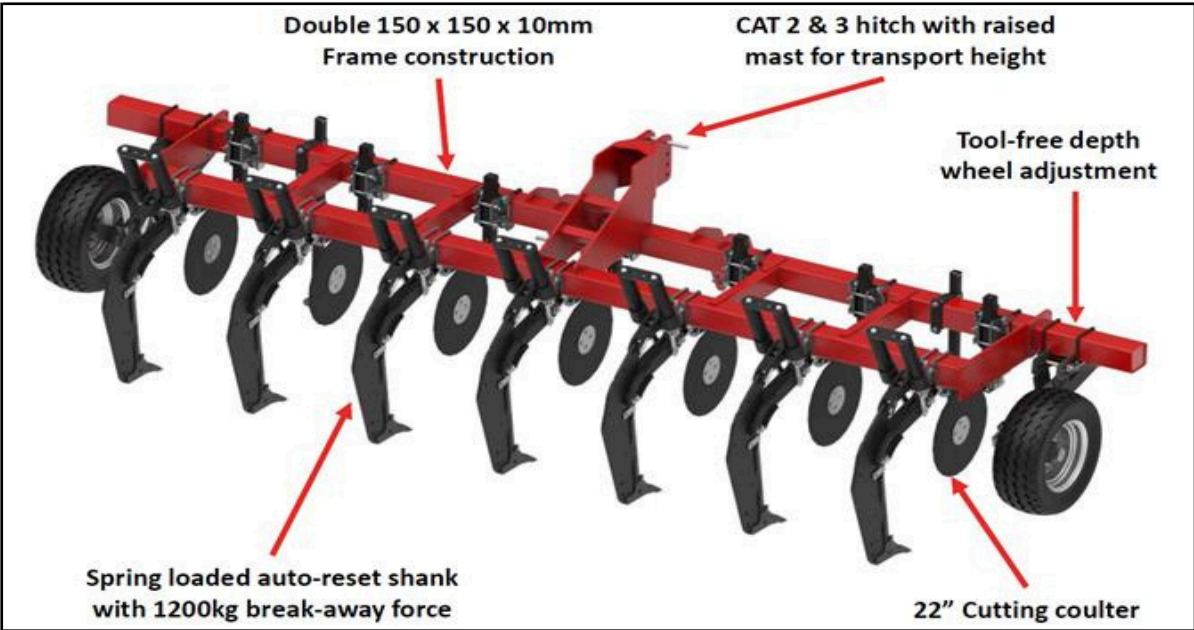
Basic Machine :

- Frame with CAT 2 / 3 Hitch pins
- Forward Facing Depth Wheels
- Heavy Duty 20" cutting Coulters
- Auto Reset Tine with Straight Shank (500mm deep)

60cm

76cm

91cm



Optional Extras :

- Price deduction for C-section shanks (400mm deep)

- Price for Cast Shatter wing kits

- Price increase for Rear Re-bar Roller
- replaces depth wheels

60cm

76cm

91cm Not Available

Attachments for Strip Till :

- Berming Arms, Cage roller and Floating Row Cleaners

- Price increase for Paddle roller in place of Cage roller

Transport not included - EX Cape Town

8-row Ripper prices

Prices Valid till 31 July 2024 (Dependent on stock availability)

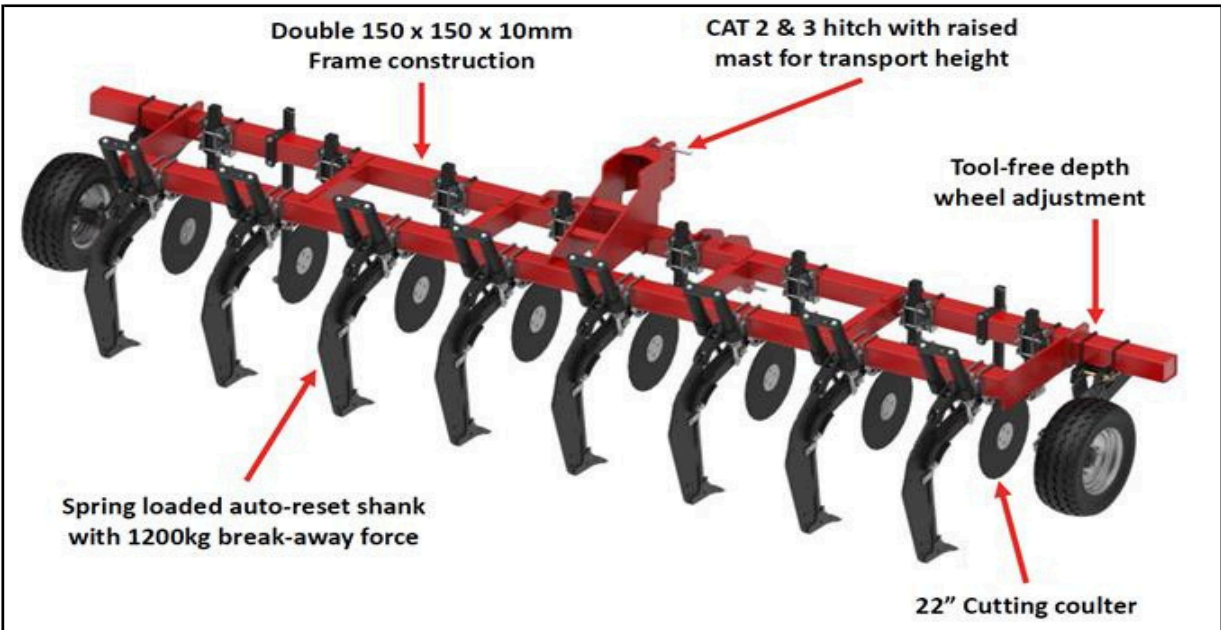
Basic Machine :

- Frame with CAT 2 / 3 Hitch pins
- Forward Facing Depth Wheels
- Heavy Duty 20" cutting Coulters
- Auto Reset Tine with Straight Shank (500mm deep)

60cm

76cm

91cm



Optional Extras :

-Price deduction for C-section shanks (400mm deep)

-Price for Cast Shatter wing kits

-Price increase for Rear Re-bar Roller
-replaces depth wheels

60cm

76cm Not Available

91cm Not Available

Attachments for Strip Till :

-Berming Arms, Cage roller and Floating Row Cleaners

-Price increase for Paddle roller in place of Cage roller

Transport not included - EX Cape Town

Sub-Soiler Prices

Basic Machine :

- 600mm Row Spacing
- Sub-Soiler Frame with CAT 2
- Transport stands x 2
- 20" No Till Coulters 5" SKF
- Subsoiler Auto Reset Tines 350mm
- Heavy Spiked Tooth Roller with Depth Control

4 Row 2,4m

5 Row, 3,0m



Alternitave Roller Attachments for Sub-Soiler :

-Price Decrease for Smooth Roller

4 Row @ 600mm 2,4m Frame

5 Row @ 600mm 3,0m Frame

-Price Decrease for Pipe Roller

4 Row @ 600mm 2,4m Frame

Row @ 600mm 3,0m Frame

Seed Bin Attachments for Sub-Soiler :

-Price Increase for Seed Bin with Rake and Side Step

4 Row @ 600mm 2,4m Frame 5 10 Rows

Row @ 600mm 3,0m Frame 12 Rows

Transport not included - EX Cape Town